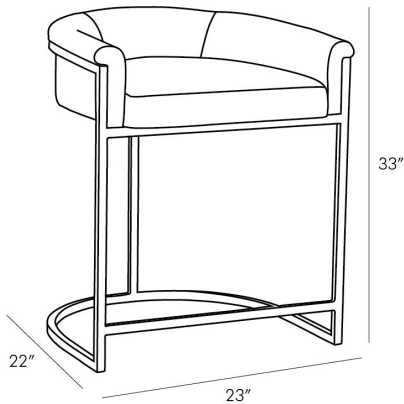


# ARTERIOS

## CALVIN COUNTER STOOL



4780

H: 29 IN, W: 23 IN, D: 22 IN

Muslin, Polished Nickel

Contract Recommendations: Adding a lacquer coating provides additional pro-

A new version of our ever-popular Calvin Barstools. We shortened the back and arm height so it could easily slide under counters when not in use. The seat is covered in muslin allowing you to reupholster in the fabric of your choice. Framed in brass with an antique finish. Also available in antique brass (4779).

### APPEARANCE

Material	Muslin, Nickel
Finish	Polished Nickel, White
Top Coat/Sealant	false

### DIMENSIONS

Arm	H: 29 IN
Foot Print	W: 23 IN, D: 22 IN
Yardage To Reupholster	4
Seat	W: 17 IN, D: 18 IN
Seat Height	9 IN
Seat	W: 17 IN, D: 18 IN

### SHIPPING

Product Weight	22.5 LBS
Gross Weight 1	41.5 LBS
Shipping Box 1	H: 34 IN, L: 25 IN, W: 25 IN

### ADDITIONAL INFO

Fabric Composition	100% Cotton
Fabric Double Rub Count	12,000
Fabric Compliancy	NFPA-260, TB117-2013

### CONTRACT

Contract Suitable	Adding a lacquer coating provides additional protection
Contract Textile Suitability	Not Contract Suitable
Swatch Number	X60SW